

Data Sheet

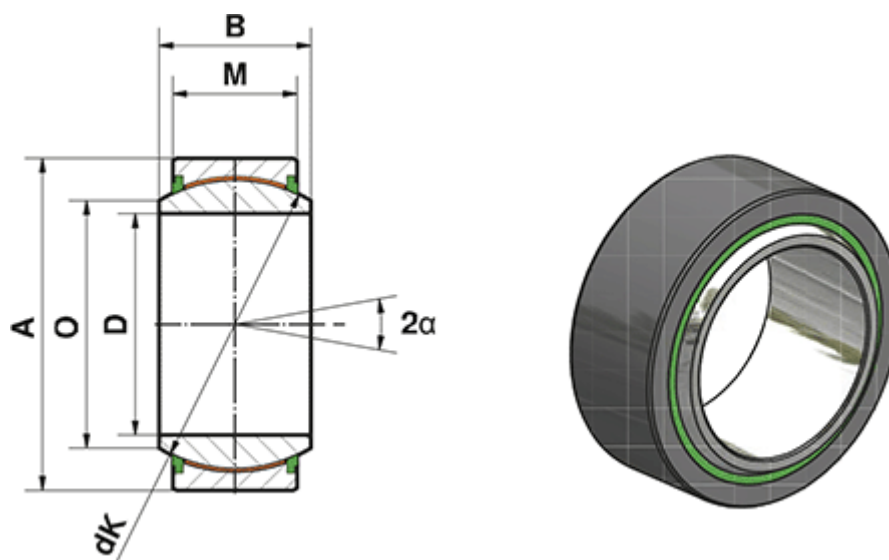


Article number: 03445110

Description: Fluro Heavy Duty Spherical Plain Bearing GE 110 EW-2RS
Hole Ø110

Note: 110

Measures



A	= 160	Static load C0 (kN) = 3075
a (degrees)	= 6	Weight (g) = 4700
B	= 70	
D	= 110	
dk	= 140	
Dynamic load C (kN)	= 1845	
M	= 55	
O	= 121.2	